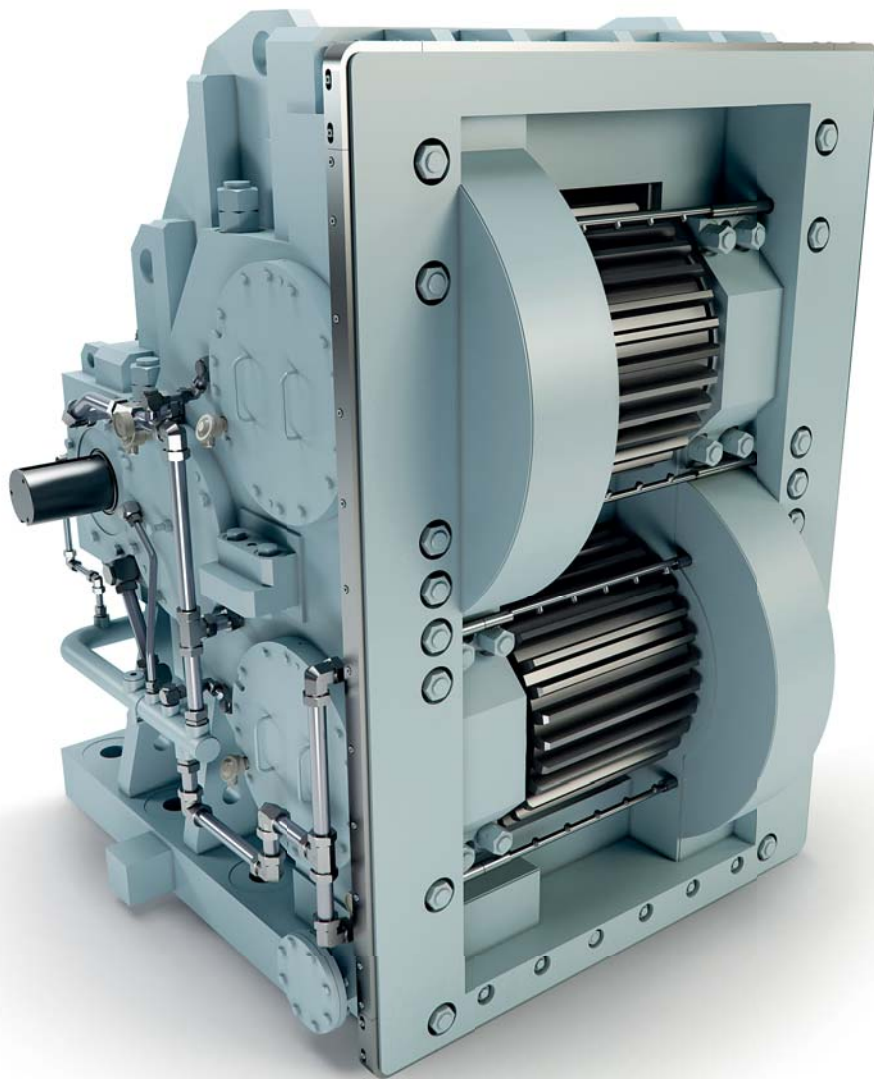


Side Drive Gearboxes for Ball Mills

Engineered Drive Solutions for Fast Return on Investment

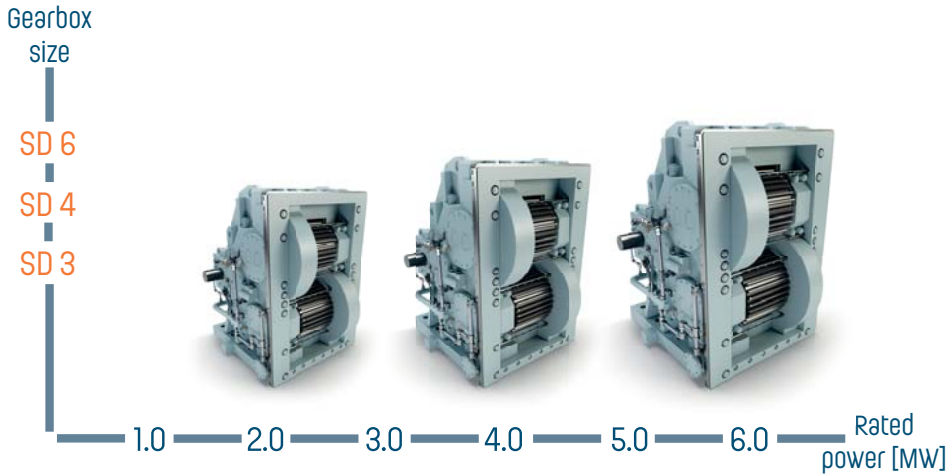


WIKOV

The Essence of Engineering

Side Drive Gearbox for Ball Mills

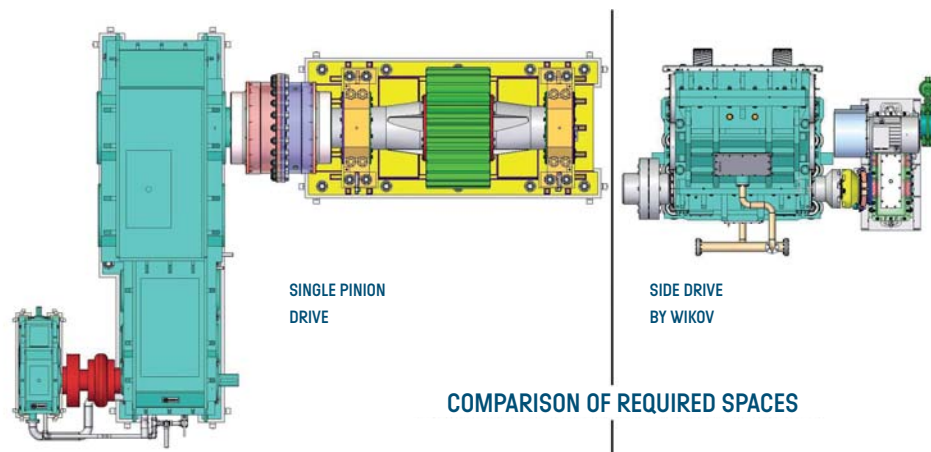
Wikov as a leading supplier into the world of cement industry contributes to the business by a range of robust side drive gearboxes requiring minimum maintenance and ensuring for extended lifetime. Our innovative solution will be tailored to your specific needs with respect to fast return on investment.



GEARBOX TYPE	SD3	SD4	SD6
Rated power (kW)	2,500 - 3,300	3,400 - 4,000	4,100 - 6,000
Service factor (AGMA 2001)	2.5	2.5	2.5
Input speed (rpm)	994	994	1,000
Output mill speed (rpm)	16.4	15.6	16.5
Gear ratio	59.41	63.72	60.6
Separated lubrication system	Yes	Yes	Yes

Technical Parameters

COMPARISON OF CONVENTIONAL AND SIDE DRIVE SOLUTIONS



Your benefits with Wikov Side Drive Gearbox

Fast return on investment

Reliability with separated lubrication system

Extended lifetime

Significant cost savings

Compact design

WiGuard - remote condition monitoring system

Contacts

Wikov Gear s. r. o.

Tylova 1/57, 316 00 Pilsen, Czech Republic
T: +420 377 177 110, F: +420 377 177 119
E: gear@wikov.com, www.wikov.com

Your Local Partner

DCL Engineering Group

27 Malta Street, NSW 2165 Fairfield East, Australia
T: +61 (0) 2 9754 1300, F: +61 (0) 2 9754 1500
E: greggreen@dcleng.com.au, www.dcleng.com.au